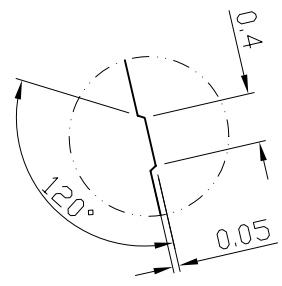
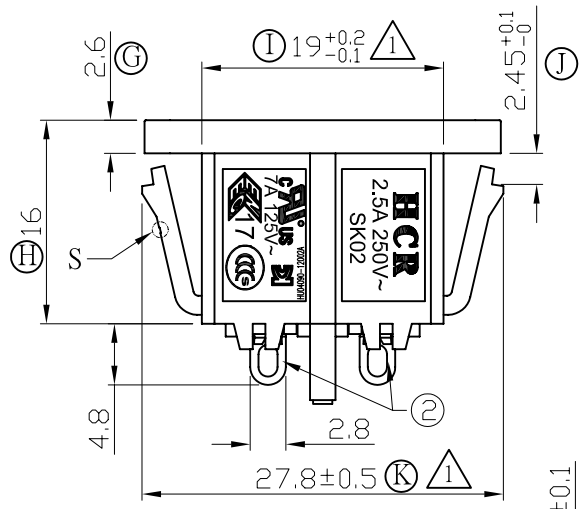


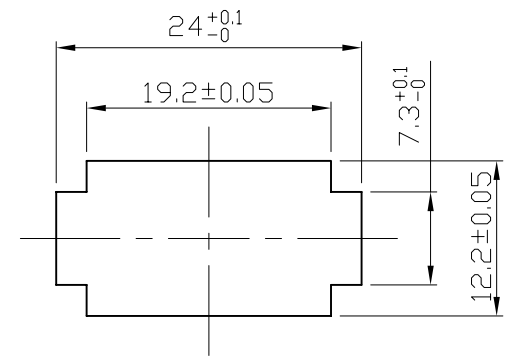
**SPECIFICATION**

- A: MATERIAL:**  
 1. BODY: NYLON 66 UL94V-0  
 2. TERMINAL: Cu PLATED Sn  
 3. PIN: Cu PLATED Ni
- B: CHARACTERISTICS:**  
 1. RATING: 2.5A 250V~(C-ULus, ENEC & CCC & KC)  
 7A 125V~(C-ULus)  
 2. INSULATION RESISTANCE: 100MΩ MIN, AT 500VDC  
 3. ELECTRIC STRENGTH : 3000 VAC/1MIN, LEAKAGE CURRENT UNDER 0.5mA
- C: APPROVALS:** C-ULus, ENEC & CCC & KC
- D: MATERIAL USED MUST BE COMPLY WITH HQI-0010**
- E: CAN MEET RoHS**

SECTION A-A

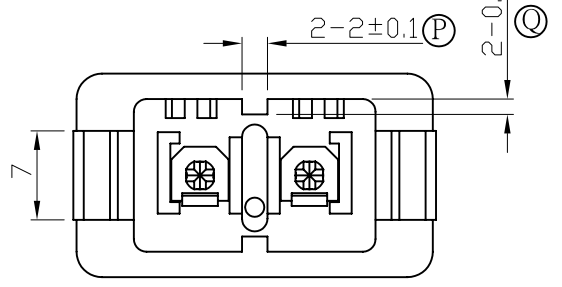


VIEW S  
SCALE 10:1



**RECOMENDED  
 PANEL CUT-OUT  
 CASE THICK 2.0MM**

TOLERANCES UNLESS OTHERWISE 未指定容許差尺寸之公差	
BASIC DIMENSIONS TOLERANCES	
UP TO 10 (10以下)	±0.15
ABOVE 10 TO 100(10~100)	±0.3
ABOVE 100 (100 以上)	±0.5
ANGULAR DIMENSIONS(角度)	±5°
DIMENSION UNIT	mm



東莞市華之力電子有限公司 DONGGUAN HCR ELECTRONICS CO., LTD.

2						核准 APPROVED BY	日期 DATE	20130830	投影法 PROJECT		機型 PART NAME	INLET SOCKET
1	2013/08/30	尺寸修改 : $19^{+0.2}_{-0.1} \Rightarrow 19^{+0.1}_{-0.1} / 12^{+0.2}_{-0.1} \Rightarrow 12.0^{+0.2}_{-0.1} / 1.2 \pm 0.1 \Rightarrow 0.8 \pm 0.1 / 28.4 \Rightarrow 27.8 \pm 0.5$	A1			校對 CHECKED BY	日期 DATE	20130830	比例 SCALE	1:1	型號 PART NO	SK02
0	2013/07/18	新制訂	A0	LamPeng	RZTang	繪圖 DRAWN BY	日期 DATE	20130830	路徑 DWG NO	E:成晶圖 SK02/820195	料號 ITEM NO	SK02-0701023421(2.0)
NO	DATE	REVISION DESCRIPTION	ISSUE	REVISE	APPROVED							